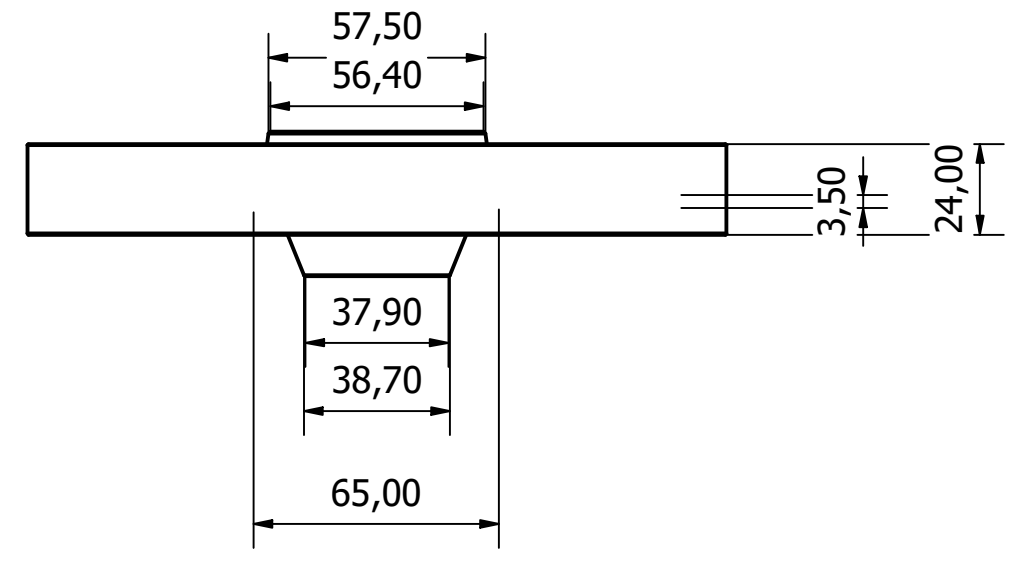
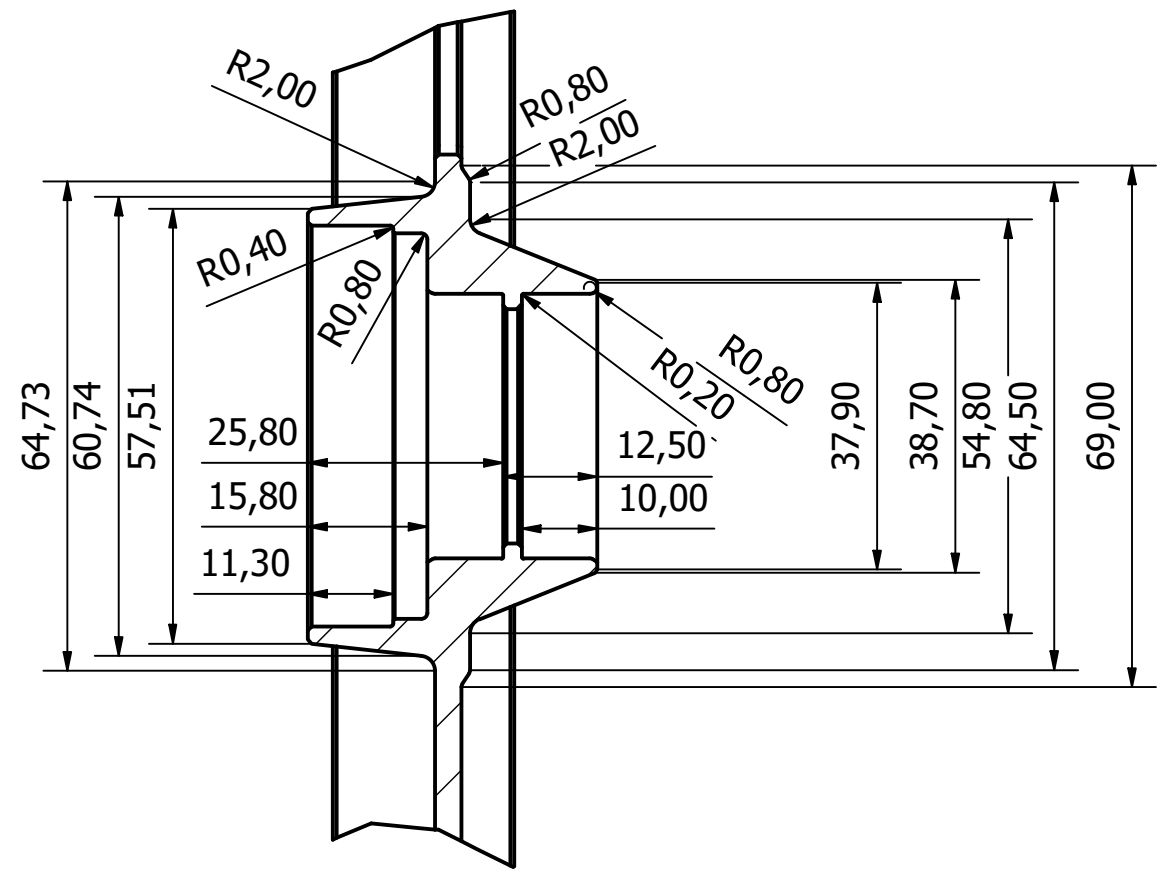
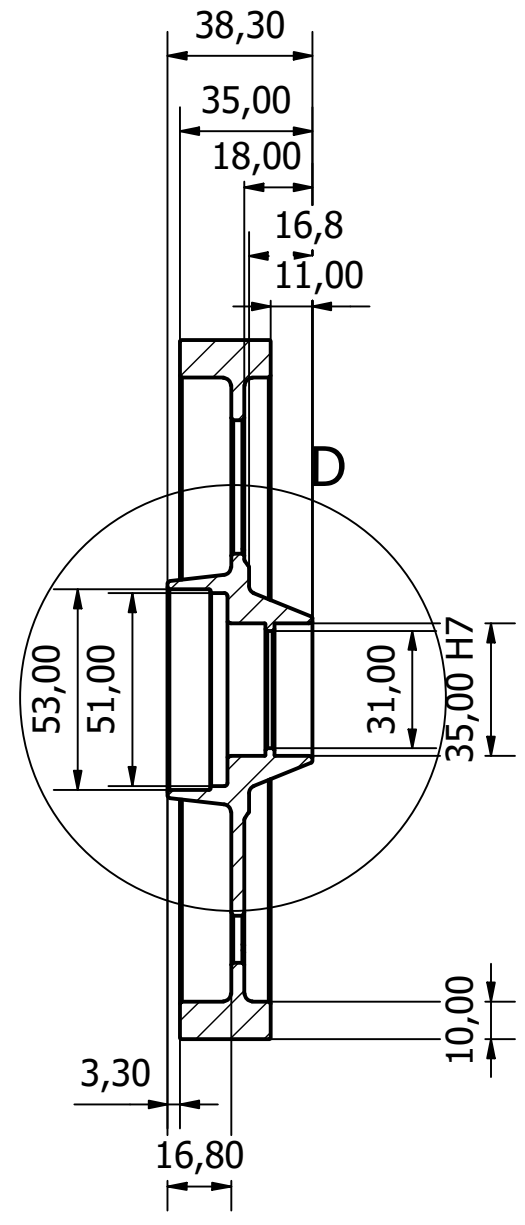
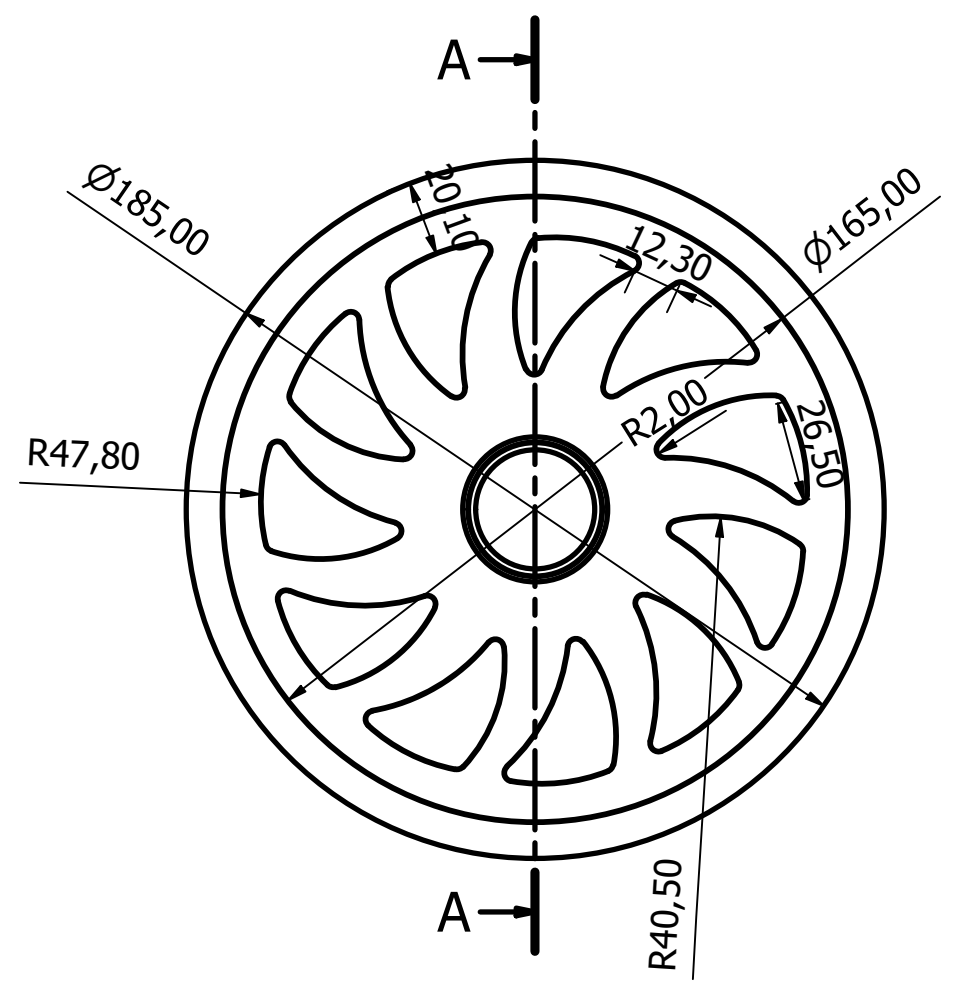


A-A (1:2)

D (1:1)



Material: Steel or Cast iron

Broken edges 0,5mm

Responsible dept.	Document type Part drawing	Revision 3.0	Release status Released
	Created by Jan I. Svendsen	Approved by JIS	Part number Flywheel V4 Ø185
	Title Flywheel motor 1,5Kg		Date of issue 31.10.2018
		Scale 1 : 2	Sheet 1 / 1
<small>This document is the property of A&M Utvikling AS, and cannot be reproduced or communicated without permission.</small>			