



REVISION HISTORY

REV

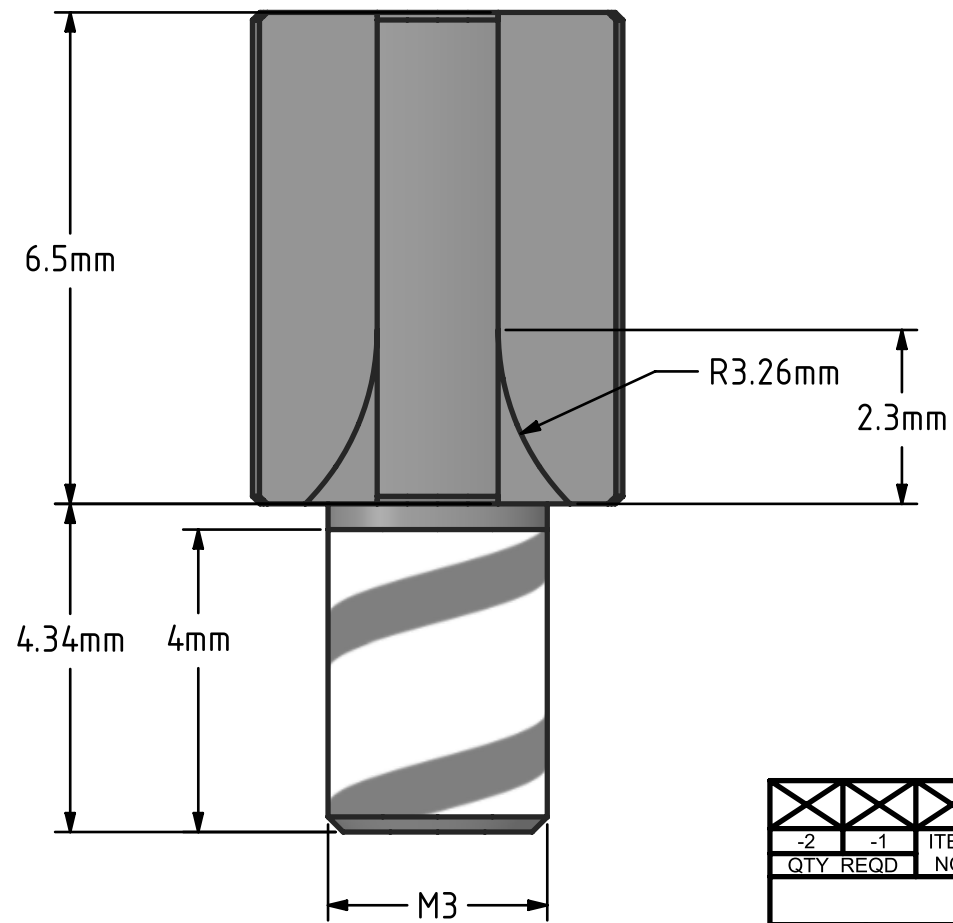
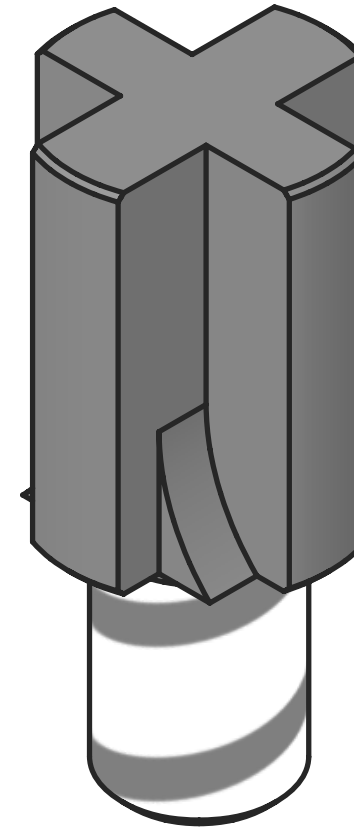
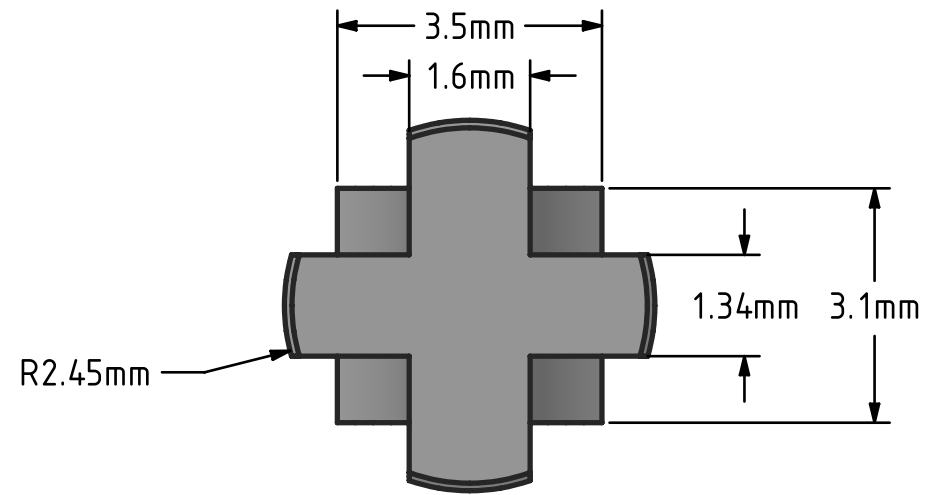
DESCRIPTION

INCORP BY

DATE

CHECKED

NOTES:



QTY REQD			PART OR IDENTIFYING NO.			NOMENCLATURE OR DESCRIPTION			
-2	-1	ITEM NO.	PARTS LIST						
INIT	APPROVALS	DATE	INIT	APPROVALS	DATE	TITLE			
						SIZE	CAGE CODE	DWG NO.	REV
						B			
						SCALE		SHEET	

CONTRACT NO.		MATERIAL
		FINISH
		TREATMENT
NEXT ASSY	USED ON	SIMILAR TO
APPLICATION		

THIRD ANGLE PROJECTION

