

1

2

3

4

5

6

A

A

B

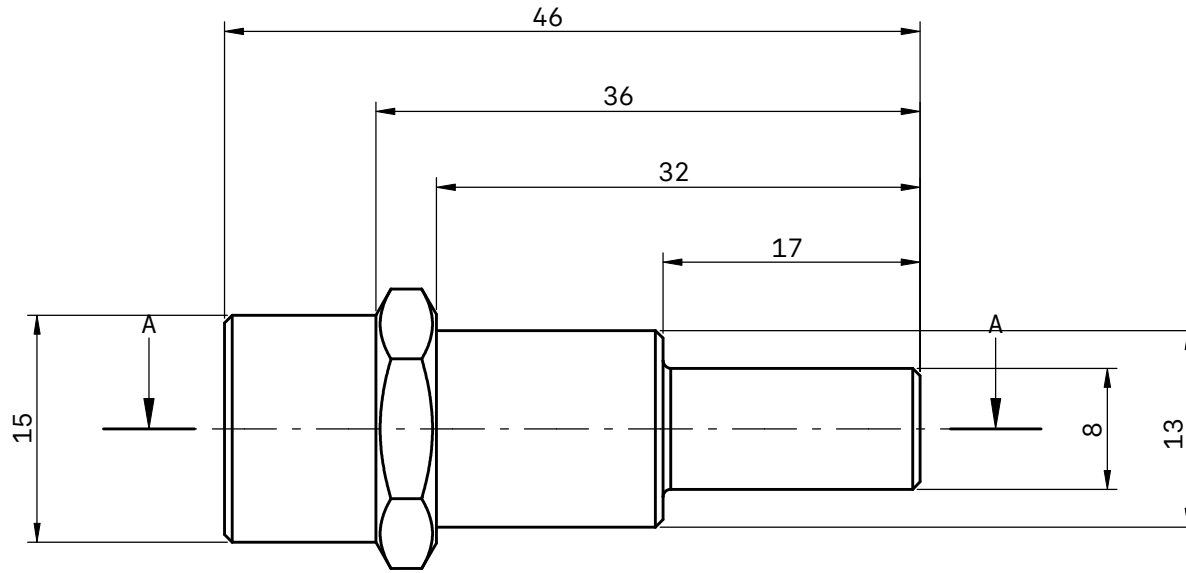
B

C

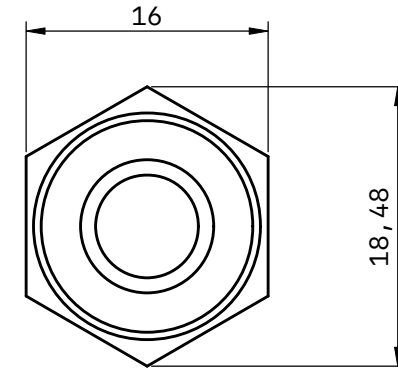
C

D

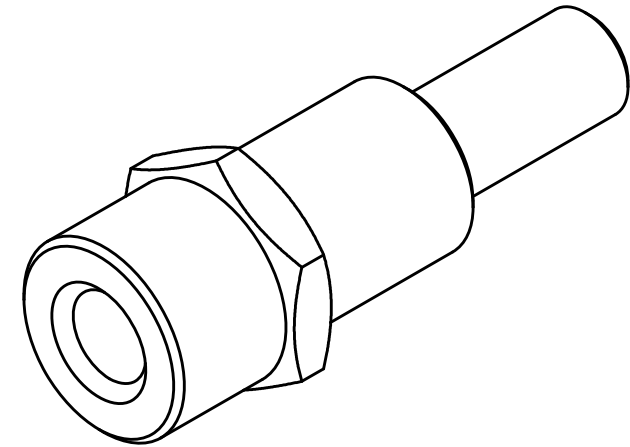
D



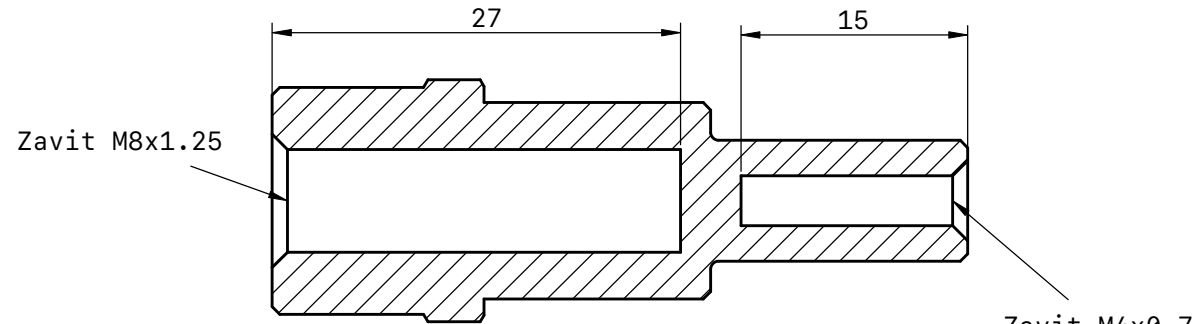
SCALE 2:1



SCALE 2:1



SCALE 2:1



A-A  
SCALE 2:1

TITLE <b>Matrice</b>		
UNITS <b>mm</b>	PROJ. ANG. 	SIZE <b>A4</b>
SCALE <b>1:2</b>	LAST UPDATED <b>07/17/23</b>	SHEET <b>1/1</b>

1

2

3

4

5

6