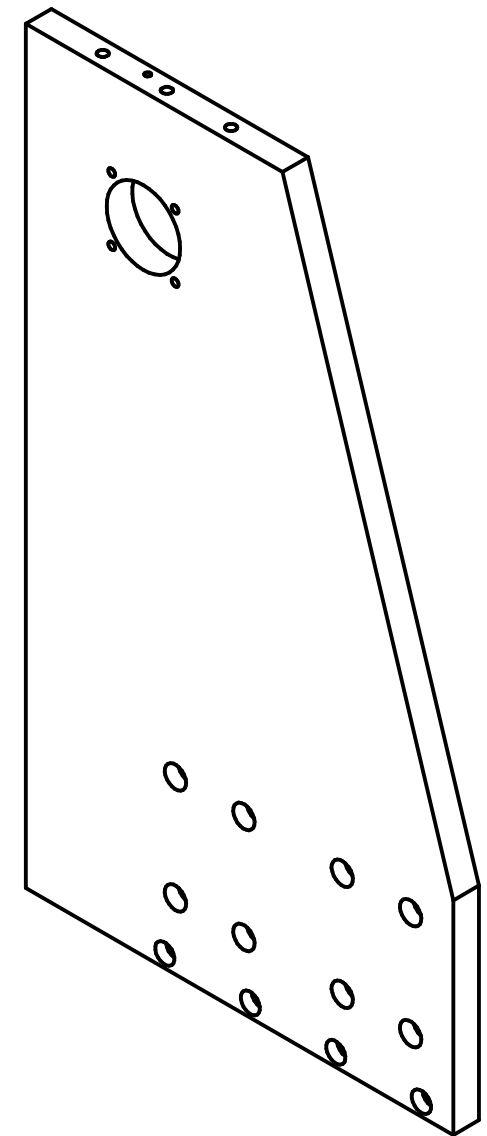
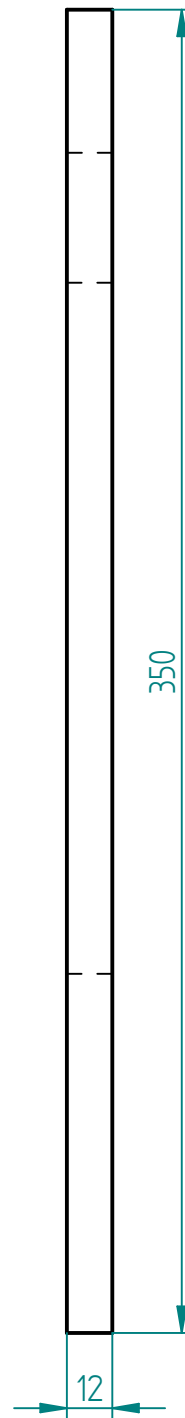
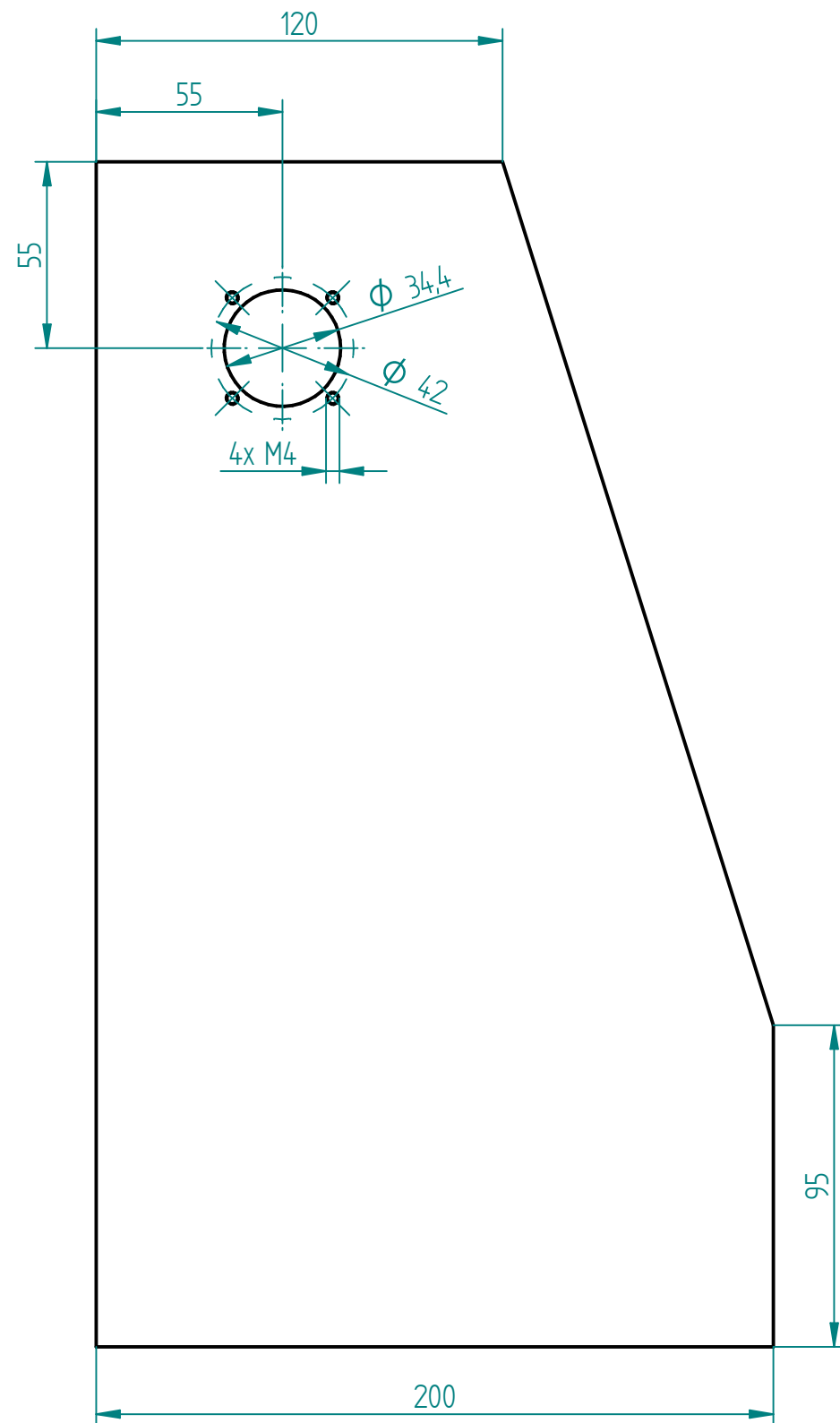


REVISION HISTORY			
REV	DESCRIPTION	DATE	APPROVED



Solid Edge Community Edition

	NAME	DATE	Solid Edge	
DRAWN	juraaj	01/16/22	TITLE	
CHECKED			Deska 3	
ENG APPR			SIZE	DWG NO
MGR APPR			A3	REV
UNLESS OTHERWISE SPECIFIED DIMENSIONS ARE IN MILLIMETERS ANGLES $\pm X.X^\circ$ 2 PL $\pm X.XX$ 3 PL $\pm X.XXX$			FILE NAME: Deska 3.dft	
			SCALE:	WEIGHT:
			SHEET 1 OF 1	