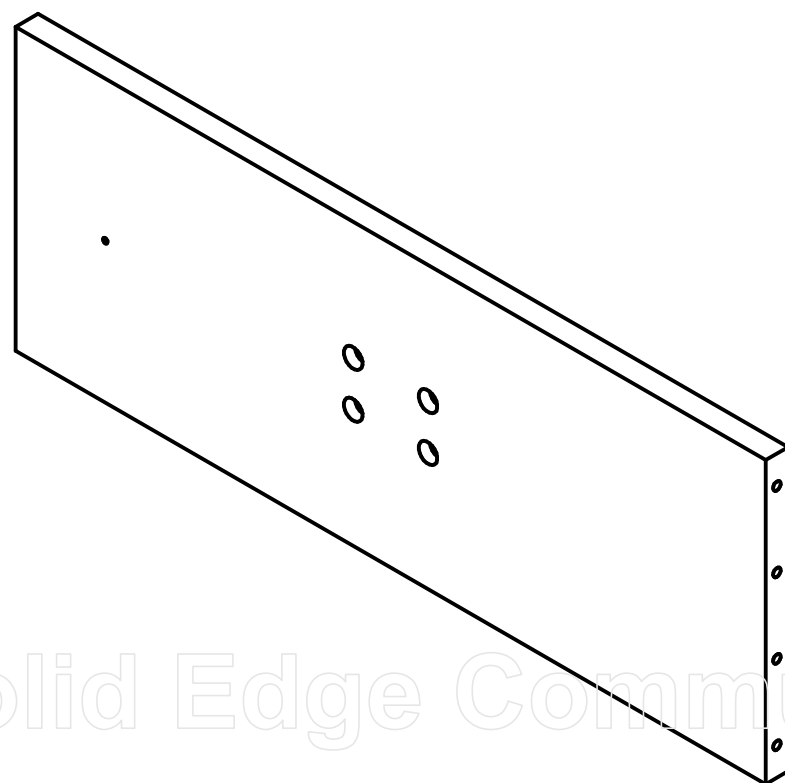
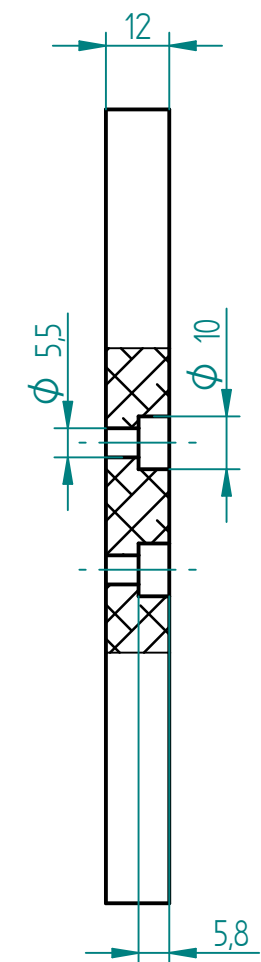
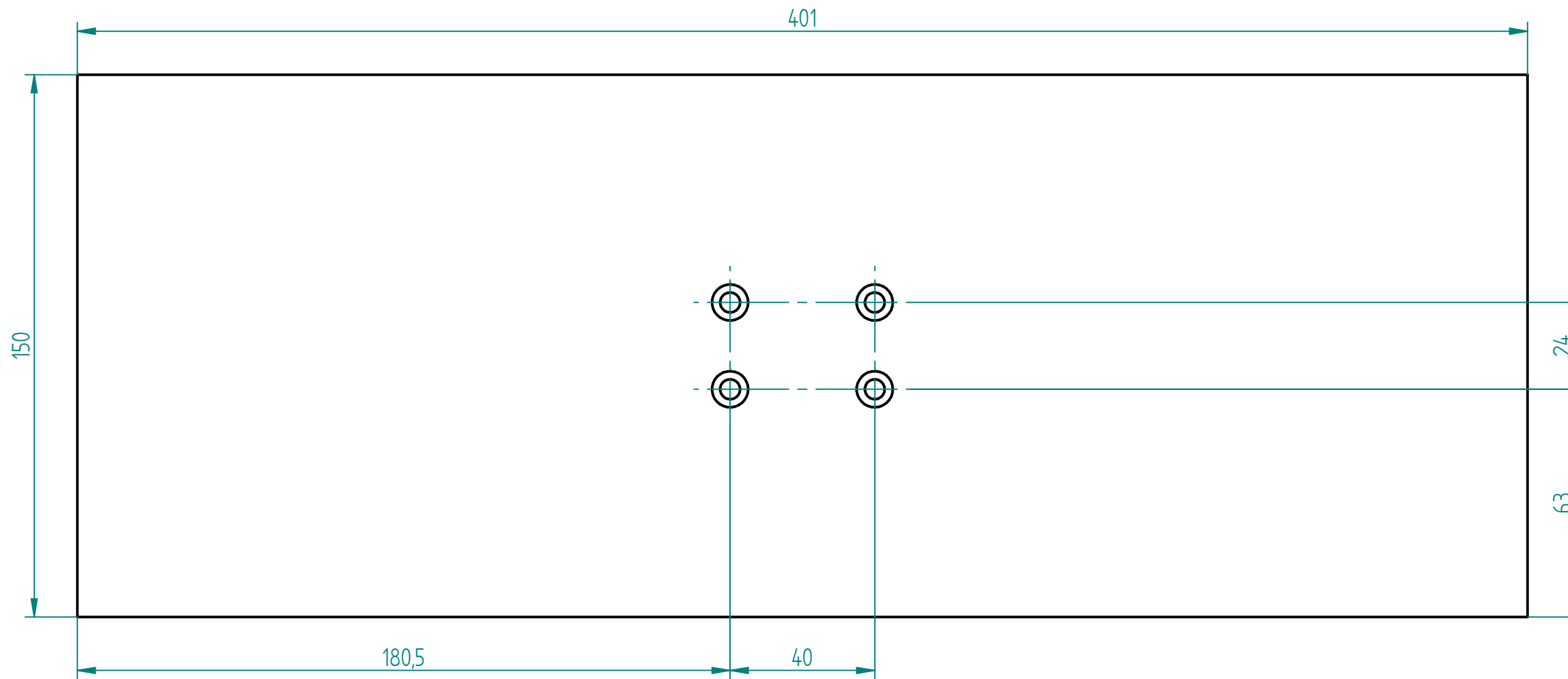


REVISION HISTORY

REV	DESCRIPTION	DATE	APPROVED



Solid Edge Community Edition

	NAME	DATE	Solid Edge TITLE Deska 10		
DRAWN	jura	03/06/22			
CHECKED					
ENG APPR					
MGR APPR			SIZE A3	DWG NO	REV
UNLESS OTHERWISE SPECIFIED DIMENSIONS ARE IN MILLIMETERS ANGLES $\pm X.X^\circ$ 2 PL $\pm X.XX$ 3 PL $\pm X.XXX$			FILE NAME: Deska 10.dft		
SCALE:		WEIGHT:		SHEET 1 OF 1	