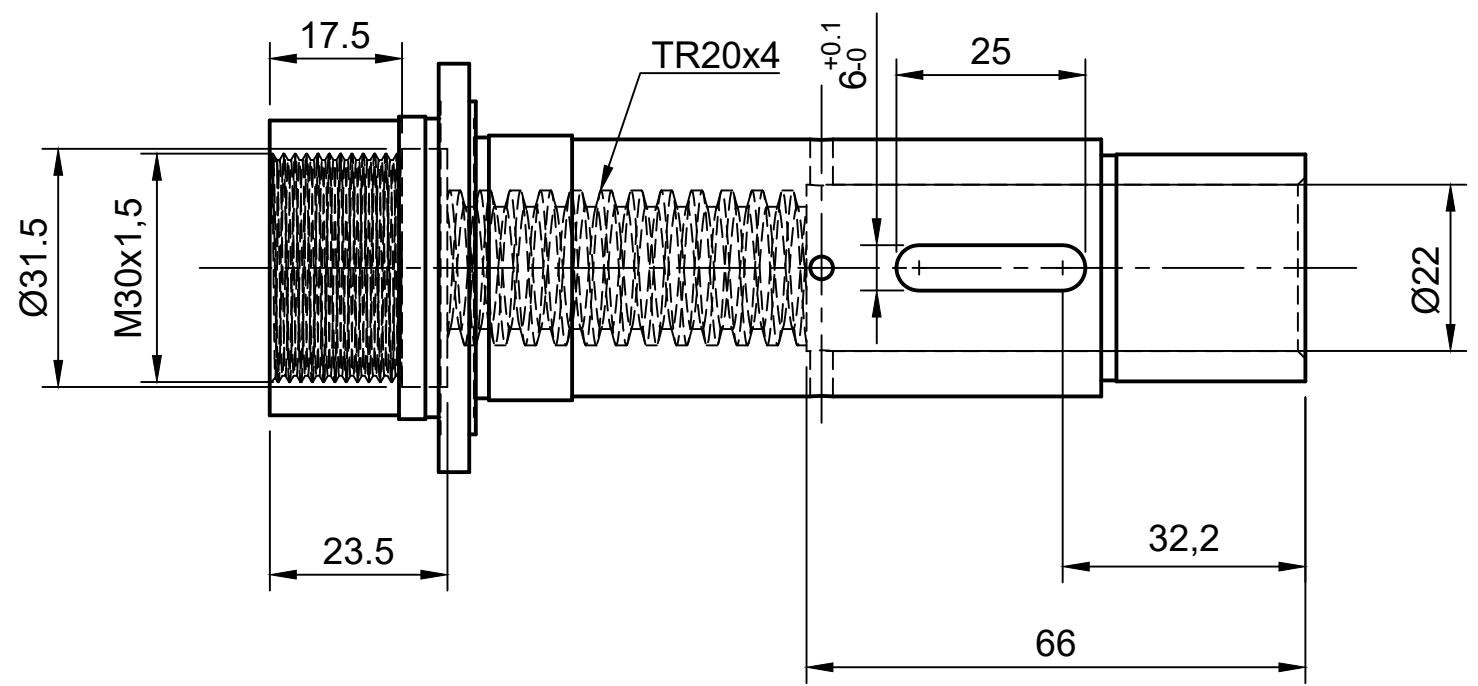
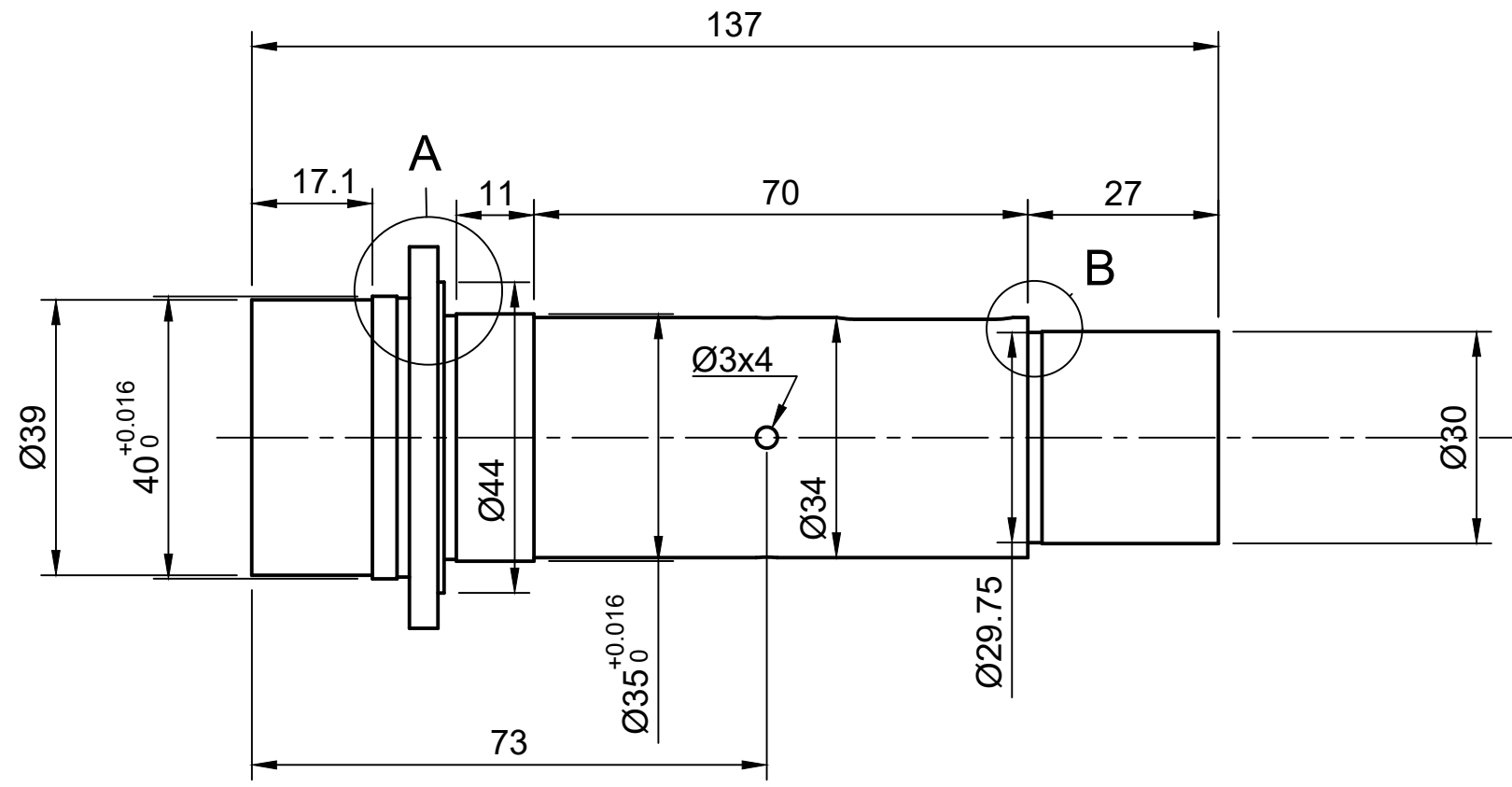
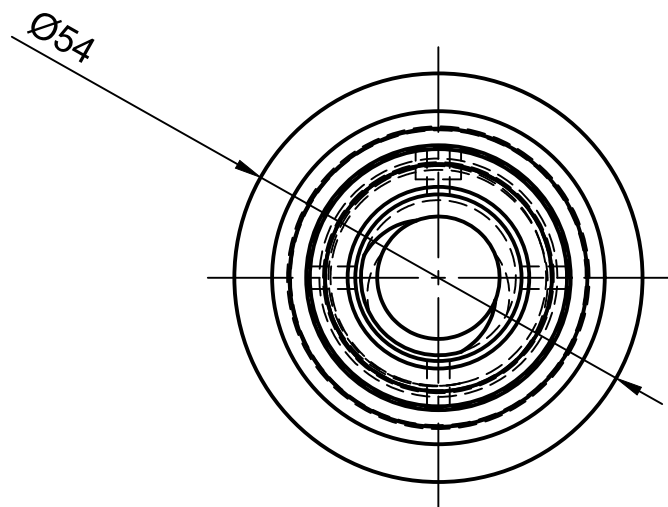
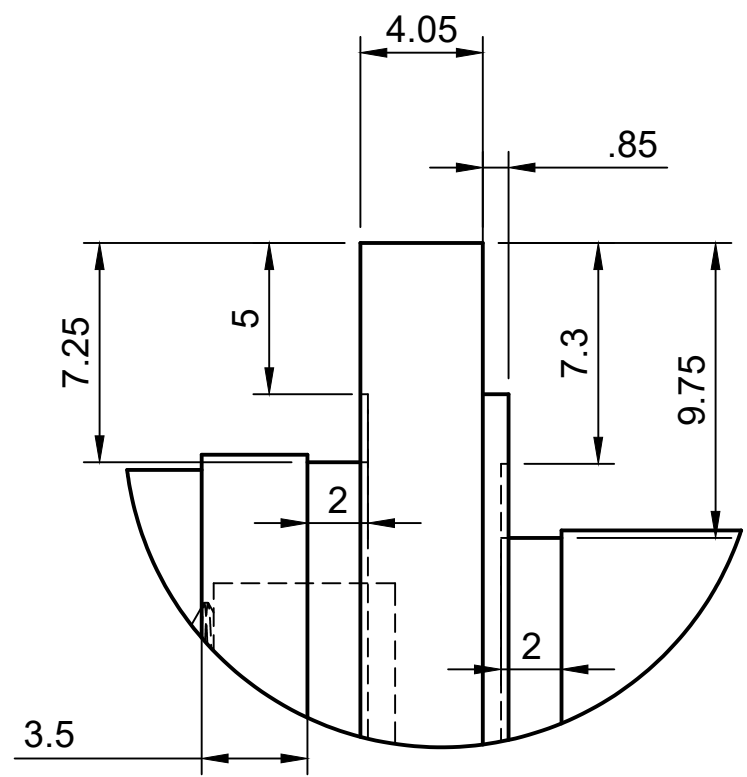


1 2 3 4 5 6 7 8

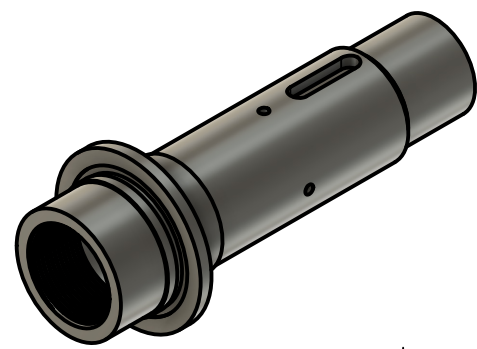
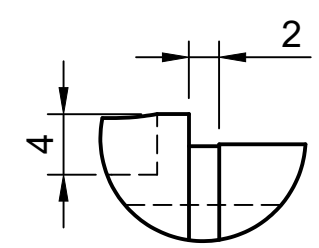
A
B
C
D
E
F



A (4:1)



B (2:1)



Neznačené sražení 1x45°

Dept.	Technical reference	Created by Elastor	09/04/2025	Approved by
		Document type	Document status	
		Title Pouzdro	DWG No.	
Rev.	Date of issue	Sheet		1/1

1 2 3 4 5 6 7 8