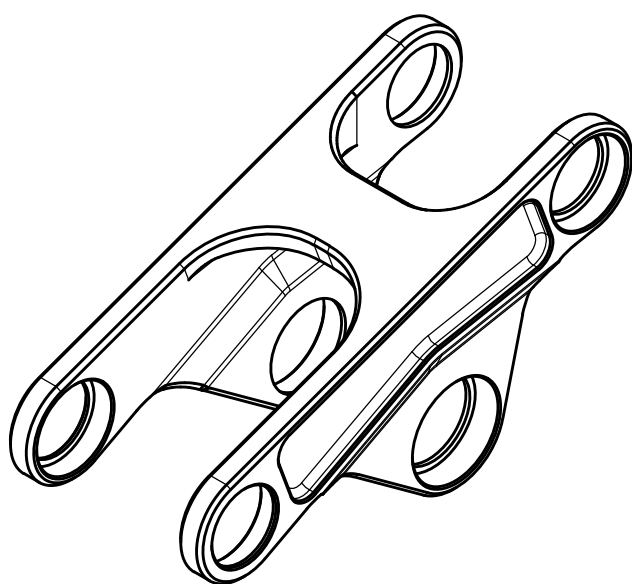
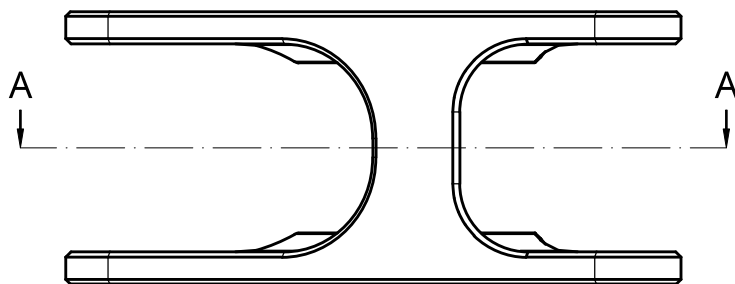


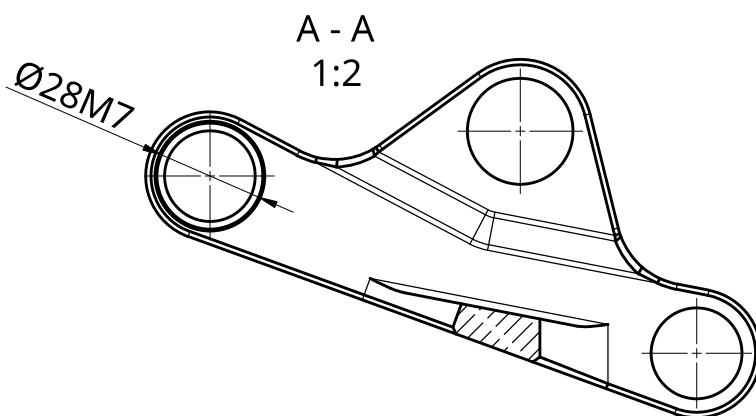
1:2



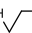

1:2



1:2



A - A
1:2

UNLESS OTHERWISE SPECIFIED, DIMENSIONS ARE IN MILLIMETERS ANGULAR = ± ° SURFACE FINISH  DO NOT SCALE DRAWING BREAK ALL SHARP EDGES AND REMOVE BURRS FIRST ANGLE PROJECTION 		NAME	SIGNATURE	DATE	TITLE
	DRAWN	PAVEL ČAPEK		2025-11-28	
	CHECKED				
	APPROVED				
	MATERIAL	FINISH		SIZE A4	DWG NO.
				SCALE 1:1	WEIGHT
					SHEET 1 of 1