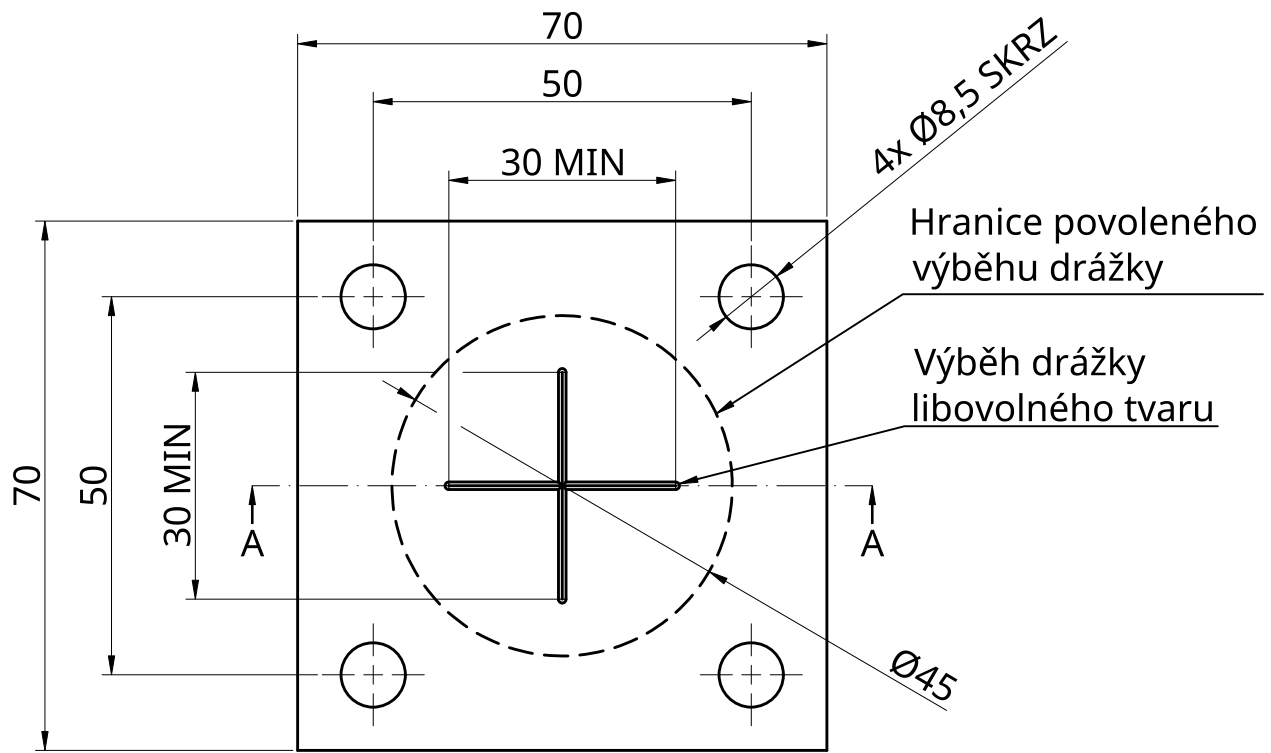
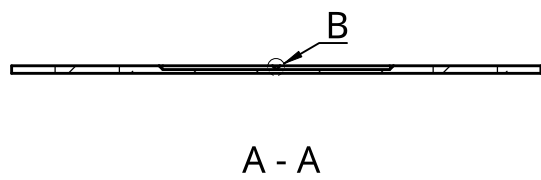


zbytková tloušťka (t)	množství (ks)
0,450 ± 0,005	10
0,475 ± 0,005	10
0,500 ± 0,005	10



UNLESS OTHERWISE SPECIFIED, DIMENSIONS ARE IN MILLIMETERS		NAME	SIGNATURE	DATE	TITLE
LINEAR = ± 0,1	ANGULAR = ± 1°	DRAWN	HERCIKAR	2026-05-02	
SURFACE FINISH $\sqrt{3,2}$		CHECKED			
DO NOT SCALE DRAWING		APPROVED			
BREAK ALL SHARP EDGES AND REMOVE BURRS					SIZE
FIRST ANGLE PROJECTION	MATERIAL	FINISH	A4		DWG NO.
	1.4301	N/A	2510-1-006		REV.
			SCALE	1:1	WEIGHT
					SHEET
					1 of 1