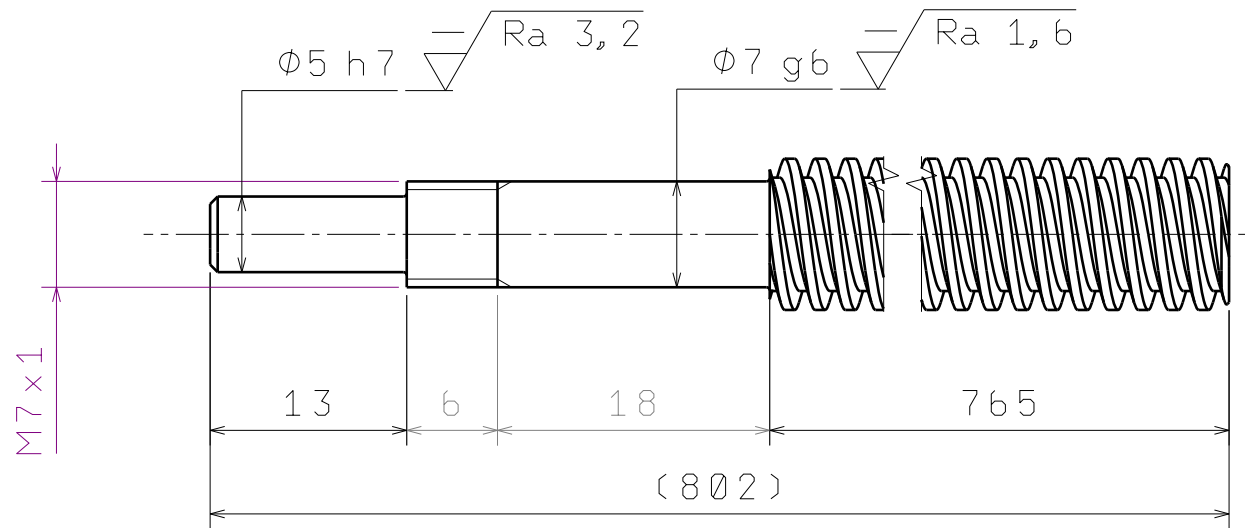


TR10x4 (P2) RH, CSN 17 240, EN 1.4301, AISI 304



Front view
Scale: 2:1