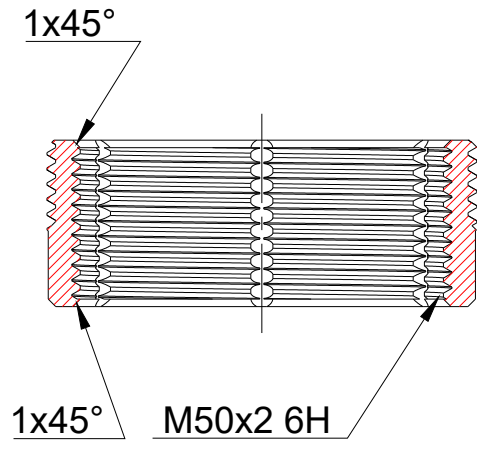
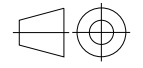


A-A (1:1)



Size A3	Scale 1:1	Created by	Approved by
Material Aluminum 7075	Projection method ISO - E 	General tolerances DIN ISO 2768 mK	
		Title Vlozka-M50-M57	DWG No. ZV_2026_00_01
		Rev.	Date of issue
		Sheet 1/1	