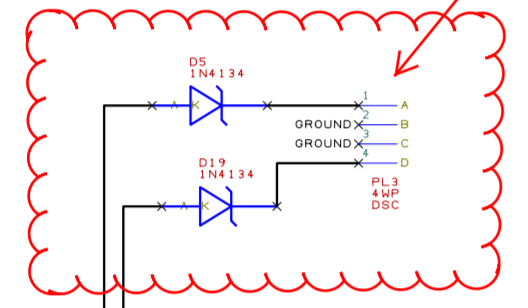


I plan to use these for a fourth axis, Step & Direction.



SCHEMATIC FROM REVERSE-ENGINEERING OF GENERIC 3-AXIS STEPPER MOTOR CONTROLLER BASED ON THE TOSHIBA TB6560AHQ STEPPER DRIVER IC

